

LOLA

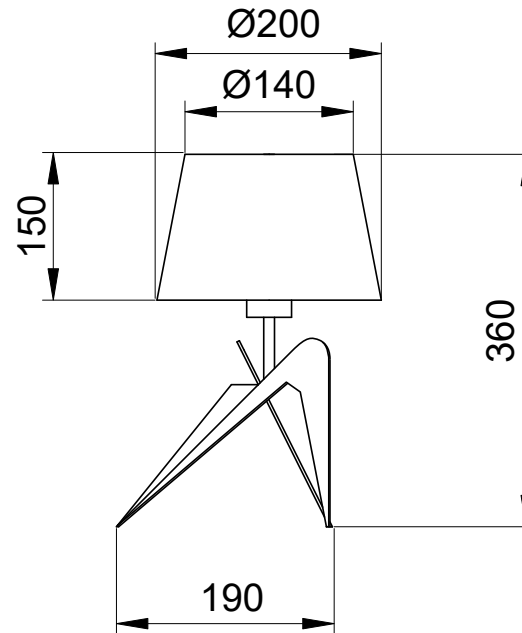
Table lamp



Curved and
harmonious lines



Lola seduces with the original cut of its steel foot. Product delivered without bulb.



- TECHNICAL SPECIFICATIONS**

Light source _____ **E27**
Power _____ **12W maxi**
Material _____ **Steel / Fabric**
Color _____

- LOGISTIC SPECIFICATIONS**

Packaging _____ **1 package**
Net weight _____ **0,6 kg**
Gross weight _____ **1 kg**
Package dimensions _____ **TBA**

- COMMERCIAL SPECIFICATIONS**

Weight _____ **1 kg**
Warranty _____ **5 years**
Repairability _____ **10 years**
Code EAN _____ **3131130366289**
_____ **3131130366296**



ALUMINOR
LUMINAIRES

852 CD 15, 06390 CONTES, FRANCE // +33 (0)4 93 91 60 10
contact@aluminor.fr // www.aluminor.fr